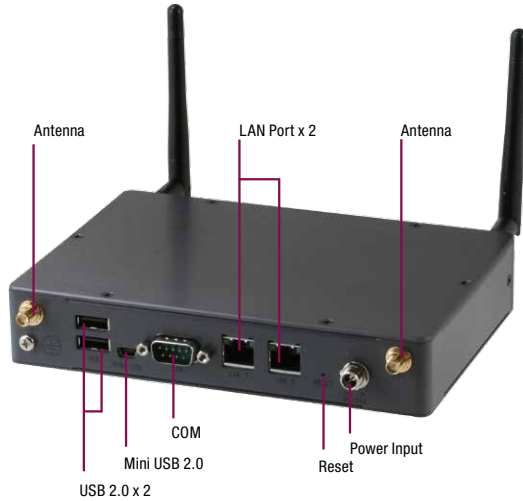
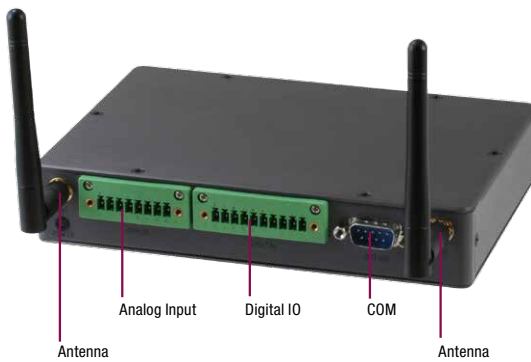


Front View



Rear View



Note: Antennas are not included in the standard packing.

Features

- Intel® Quark SoC Series
- Onboard 1 GB DDR3 800MHz SODIMM
- USB 2.0 x 2
- Serial Port x 1 (RS-232/422/485 x 1)
- 10/100 Ethernet x 2
- VDC 9~24V (Lockable VDC Connector)
- DIO (Input/ Output) x 8 pins
- Moon Island Capable with McAfee Security

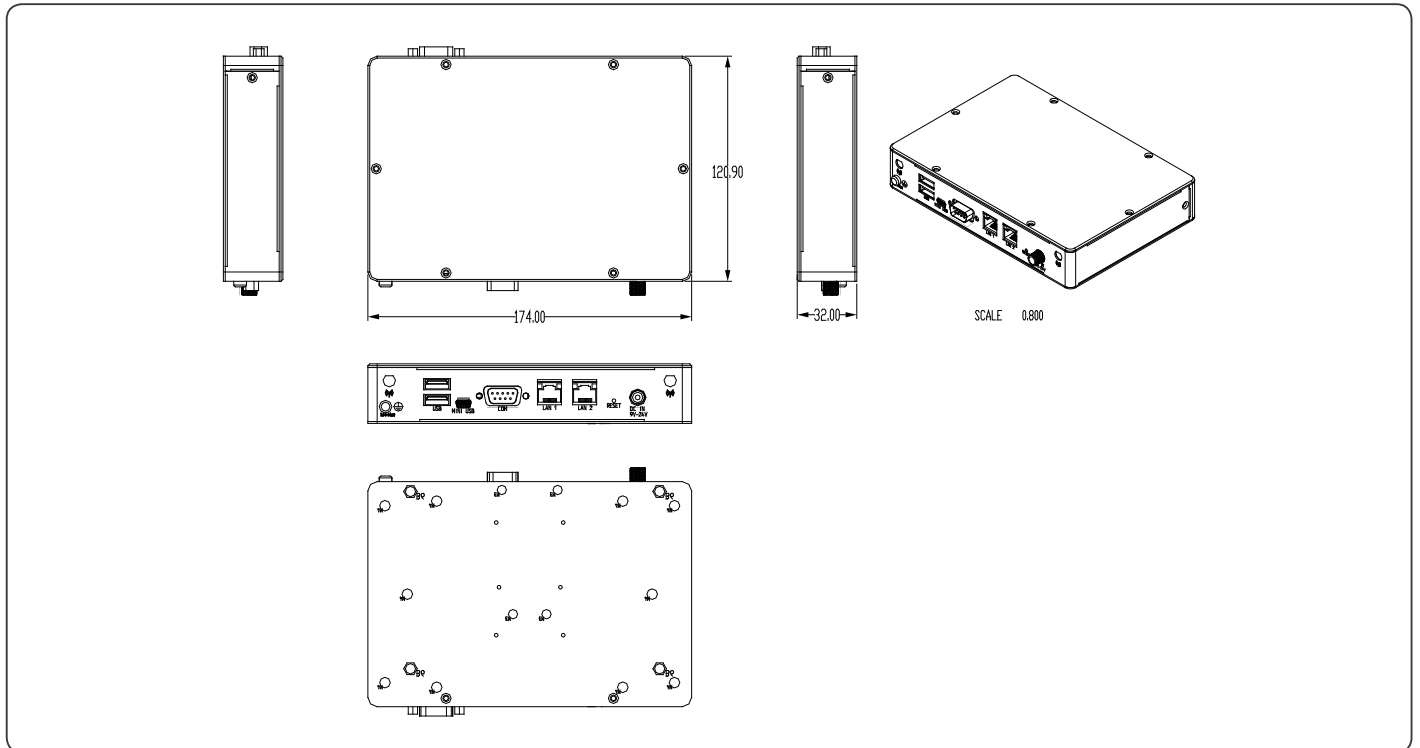


Specifications

System	
Processor	Intel® Quark SoC x1021
System Memory	Onboard 1 GB DDR3 800MHz ECC, un-buffered memory
Ethernet	10/100, RJ-45 x 2
Rear I/O	USB 2.0 Port x 2 Mini USB Port x 1 Serial Port (RS-232/422/485) x 1 LAN (RJ-45) Port x 2 RESET Button x 1 Lockable DC connector (9~24V) x 1 Antenna hole x 2
Front I/O	Analog Input x 1 Digital IO x 1 RS-232 x 1 Power LED x 1 Antenna hole x 2
Storage	Micro SD Slot x 1 (default 4G card)
Expansion Slot	Full Size Mini-PCIe Slot for PCIe and USB Host Interface x 1 Half Size Mini-PCIe Slot for PCIe x 1 SPI Slot for optional module
OS support	Wind River Linux Yocto Linux (MOQ required)
Mechanical	
Mounting	VESA/ Wallmount
Dimension	44.2" x 4.77" x 1.26" (174mm x 121.2mm x 32mm)
Gross Weight	—
Net Weight	—
Environmental	
Operating Temperature	-4°F ~ 158°F (-20°C ~ 70°C)
Storage Temperature	-40°F ~ 185°F (-40°C ~ 85°C)
Storage Humidity	10%~95% @40°C, non-condensing
Power Supply	
DC input	DC 9-24V
Optional Connectivity	
Support Connectivity	3G/ Wi-Fi/ ZigBee/ Bluetooth

Dimension

Unit: mm



Ordering Information

Part Number	CPU	Moon Island Production Kit	DRAM	Storage	LAN	RS-232	RS-232/422/485	Expansion slot	Temp	ADC	DIO	USB Client	I2C
AIOT-QG-A10-01	Quark x 1021	1	DDR3 1 GB	4 GB	10/100 x 2	1	1	Mini PCIe slot x 2	-20°C ~ 70°C	1	1	1	1

Packing List

- Product CD
- AIOT-QG

Optional Accessories

- **1255300607**
12V Power Adapter
- **9741159H00**
Wireless LAN Kit, IEEE 802.11 b/g/n, w/ BT 4.0/3.0 (Azure Wave AW-NB159H), w/ Cable and Antenna
- **9741E91000**
Mini PCIe 3G Module Kit, USB Interface, Telit, HE910-D, w/ Cable and Antenna
- **9751AIQG00**
Wall mounting Accessory for AIOT-QG